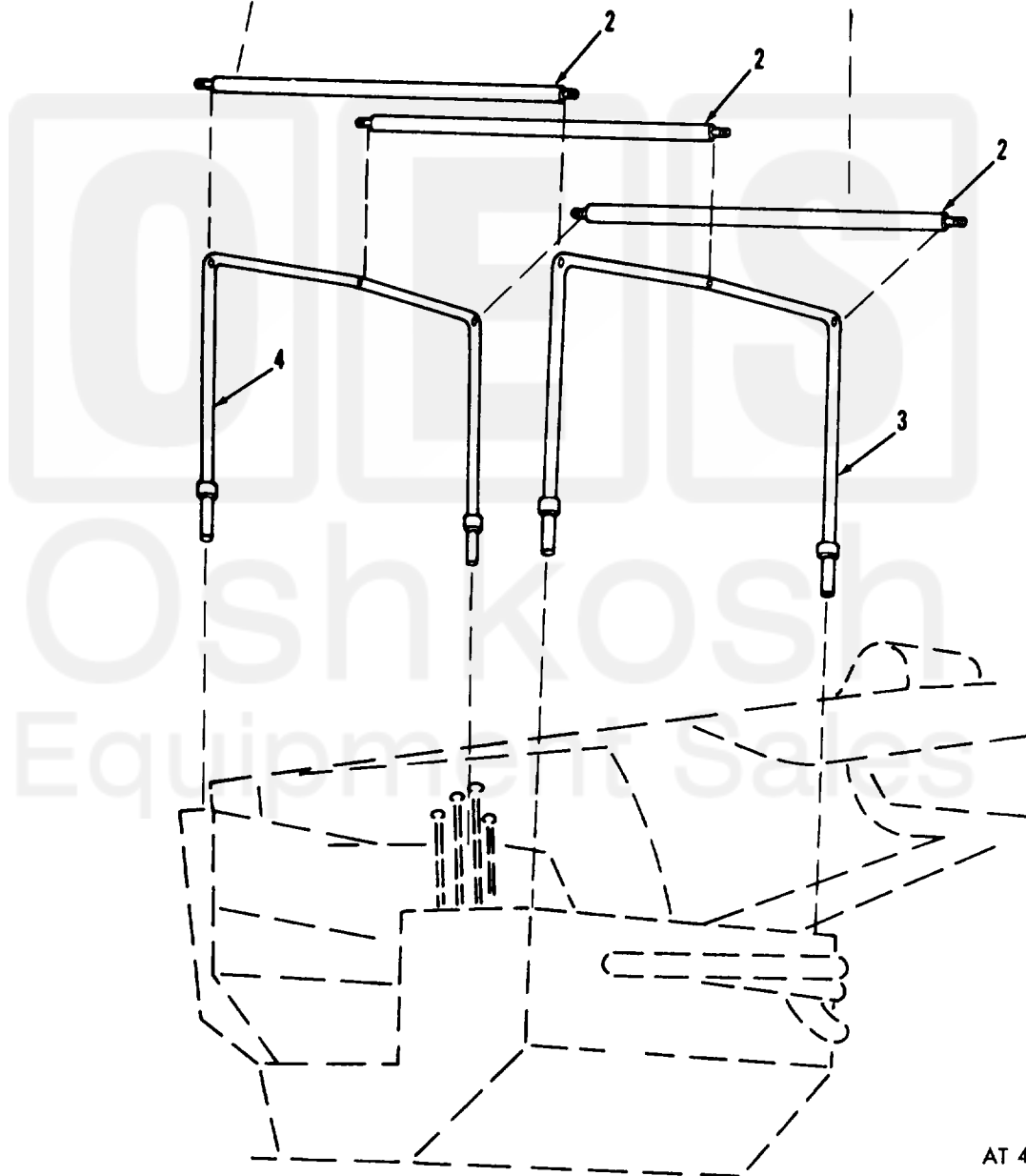


Current part is item (3) on diagram. Available at www.oshkoshequipment.com

(1) SMR Code	(2) Federal Stock Number	(3) Description	(4) Unit of Meas.	(5) Qty	(6) 15-day Maintenance In	(7) Organizational allow Illustration	(a) Figure No.	(b) Item No.
Reference number & mfg. code			Usable on code		(a) (b) (c) (d)	(a) (b)	(c) (d)	
2001-HOIST, WINCH, CRANE ASSEMBLY -CONTINUED								
PAOZZ	4730-050-4208	FITTING,LUBRICATION:1/8 NPT ROLLER HANGAR SHAFT MS15003-1 (96906)	BD,FJ	EA	2	* * * *	195	1
PAOZZ	5305-053-8965	SCREW,CAP,HEXAGON HEAD:5/8-UNF-2A X 2 3/4 IN., DRUM WINCH MOUNTING MS90726-167 (96906)	BD,FJ	EA	12	* * * *	195	2
PAOZZ	5310-584-5272	WASHER,LOCK:DRUM WINCH MOUNTING MS35338-48 (96906)	BD,FJ	EA	12	* * * *	195	3
PAOZZ	2590-974-9670	WINCH, DRUM:VEHICLE MOUNTING 10876197 (19207)	BD,FJ	EA	1	* * * *	195	4
GROUP 22-BODY,CHASSIS AND HULL ACCESSORY ITEMS 2201-CANVAS,RUBBER OR PLASTIC ITEMS								
PAOZZ	2540-860-0518	TARPAULIN ASSEMBLY: 10899230 (19207)	CA,CB,DA,DB,	EA	1	* * * *	196	1
PAOZZ	2540-740-9681	CURTAIN,VEHICULAR:END CARGO BODY 7409681 (19207)	CA,CB,FA,FB	EA	2	* * * *	196	2
PAOZZ	2540-505-6722	CURTAIN,VEHICULAR:END CARGO BODY 8357743 (19207)	RA,ZA	EA	2	* * * *	196	2
PAOZZ	2540-860-0516	CURTAIN, VEHICULAR: END ASSEMBLY 10899231 (19207)	DA,DB	EA	1	* * * *	196	2
PAOZZ	2540-569-9605	CURTAIN:END PAULIN REAR 11544R91 (31007)	A	EA	1	* * * *	196	2
PAOZZ	2540-200-1911	CURTAIN,VEHICULAR:END CARGO BODY 501487 (19207)	CA,CB	EA	2	* * * *	196	2
PAOZZ	2540-770-3429	COVER:CARGO BODY 7392938 (19207)	RA,ZA	EA	1	* * * *	196	3
PAOZZ	2540-740-9679	COVER:CARGO BODY 7409679 (19207)	CA,CB,FA,FB	EA	1	* * * *	196	3
PAOZZ	5340-594-8032	STRAP:SAFETY ASSEMBLY 8724381 (19207)	DA,DB	EA	1	* * * *	196	4
PAOZZ	5340-536-0186	STRAP,WEBBING:SAFETY ASSEMBLY 8724380 (19207)	CA,CB,FA,FB RA,ZA,IC,ID	EA	1	* * * *	196	4
PAOZZ	2540-860-2355	CANOPY:GONDOLA CANVAS 10876433 (19207)	BD,HA,FJ	EA	1	* * * *	197	1
PAOZZ	2540-860-2358	BRACE:GONDOLA TOP STEEL 10900249 (19207)	BD,HA,FJ	EA	3	* * * *	197	2
PAOZZ	2540-860-2356	FRAME:CANOPY TABULAR STEEL FRONT 10876566 (19207)	BD,HA,FJ	EA	1	* * * *	197	3

Current part is item (3) on diagram. Available at www.oshkoshequip.com



AT 47376

Figure 197. Gondola frame and top cover.

Current part is item (3) on diagram. Available at www.oshkoshequip.com